

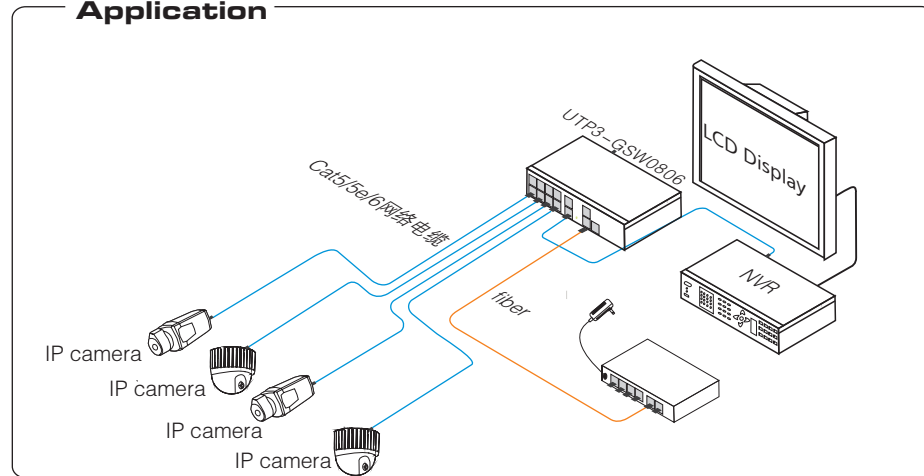
12 Ports Gigabit Ethernet Switch

User Manual

VerB 1.0

The switch with 12 Gigabit Ethernet ports, and 2 Gigabit optical SFP ports (Combo ports) is a full Gigabit managed Ethernet Switch. The switch provides up to 4Mbit cache, which ensures clear image and fluent 4K video transmission. It features total power display, one-key CCTV mode, and L2 characteristics, such as VLAN、QoS、STP, etc. It fully satisfies the needs of security video surveillance and Ethernet project.

Application



Feature

- Broadcom chip; Buffer reaches 4Mbit, can satisfy 4K video stream smooth transmission;
- Support Web-based network management, support VLAN, QoS, RSTP, SNMP etc. network function;
- One-key CCTV, 1~8 downlink ports only can communicate with uplink ports in CCTV mode, which can restrain network storm;
- 6KV surge immunity, 8KV ESD protection and anti-interference ability;
- Quick installation, easy operation, convenient for desktop and standard 19-inch rack installation.

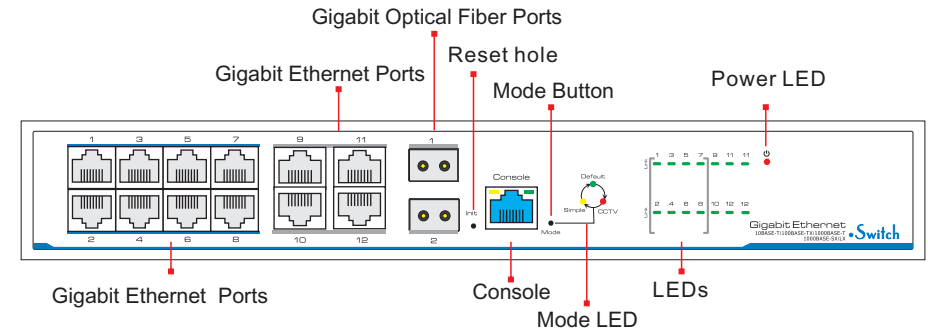
Notice

The transmission distance depends on the signal source and cable quality; standard Cat5e/6 Ethernet cable is strongly suggested for reaching the maximum transmission distance!

12 Ports Gigabit Ethernet Switch

Board Diagram

Front panel



Back panel



Notice

- 1) Operating modes (Default, CCTV, Simple) can be switched by Mode Button.
- 2) Device must be connected with lightning protection grounding; Otherwise protection level will reduce; Please use above No.20 wire to connect the grounding terminal.

Installation Steps

Please check the following items before installation. If any item is found missing or damaged, please contact the dealer.

● Ethernet switch	1 pc
● AC power cable	1 pc
● Accessories	1 pc
● User manual	1 pc

Please follow the Installation steps below

- 1) Turn off the power of all the related devices before the installation ; otherwise the device would be damaged;
- 2) Connect IP cameras and 1~8 downlink ports with Ethernet cable;
- 3) Connect Ethernet port with Storage device, like NVR or PC, with Ethernet cable;
- 4) Connect power adapter ;
- 5) Re-check the installation and connection of equipments are correct and the equipments are working properly, then power on system;
- 6) Make sure the devices are powered and work properly.

Parameter

Item		Description
Power	Power Supply	Mains on load
	Voltage Range	AC 100 ~ 240V 50/60Hz
	Consumption	30W
Network Connector	Ethernet Port	1~12 RJ45 ports: 10/100/1000Base-T 10~11 uplink Combo SFP ports:1000Base-X SFP
	Transmission Distance	0 ~ 100m
Network Switch	Network Standard	IEEE802.3,IEEE802.3u,IEEE802.3ab,IEEE802.3z
	Switch Capacity	24Gbps
	Packet Buffer	4Mb
	Packet Forwarding Rate	17.9Mpps
	MAC Address	8K
Mode	CCTV Mode	(1)Realize the communication insulation among downlink ports; (2) Auto-identify and limit network storm as low as 2Mbps
	Simple Mode	No management function
Management	Management	Management L2
Protection	ESD	Contact-discharge L3 1a Per:IEC61000-4-2; air-discharge L3 1b Per:IEC61000-4-5
	Lighting Protection	6KV Per: IEC61000-4-5
Environmental	Working Temperature	-10°C~+45°C
	Storage Temperature	-40°C ~ +85°C
	Humidity(non-condensing)	0 ~ 95%
Mechanical	Dimension(LxWxH)	280mm×180mm×43mm
	Material	Sheet Metal
	Color	Black
	Weight	1200g

Product specifications subject to change without prior notice.

Default IP address, user name, user password

IP address: 192.168.1.200

Gateway:255.255.255.0

user name: admin

Password: admin